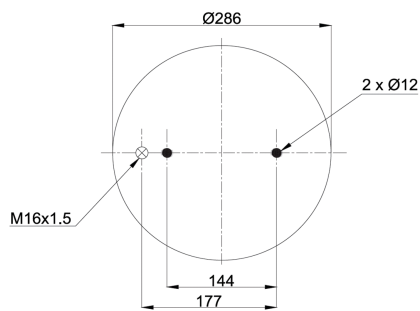
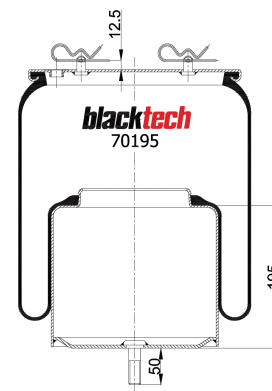
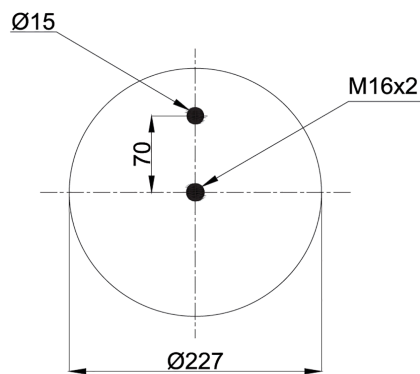


Vibracoustic CVAir Springs

RML 70195 C



 bolt or stud

 hole

 threaded hole

 combinations stud

 air inlet



RML 70195 C



Cross References

Contitech	0195NP01
-----------	----------





RML 70195 C



OEM Part Number	
Scania	1510195

